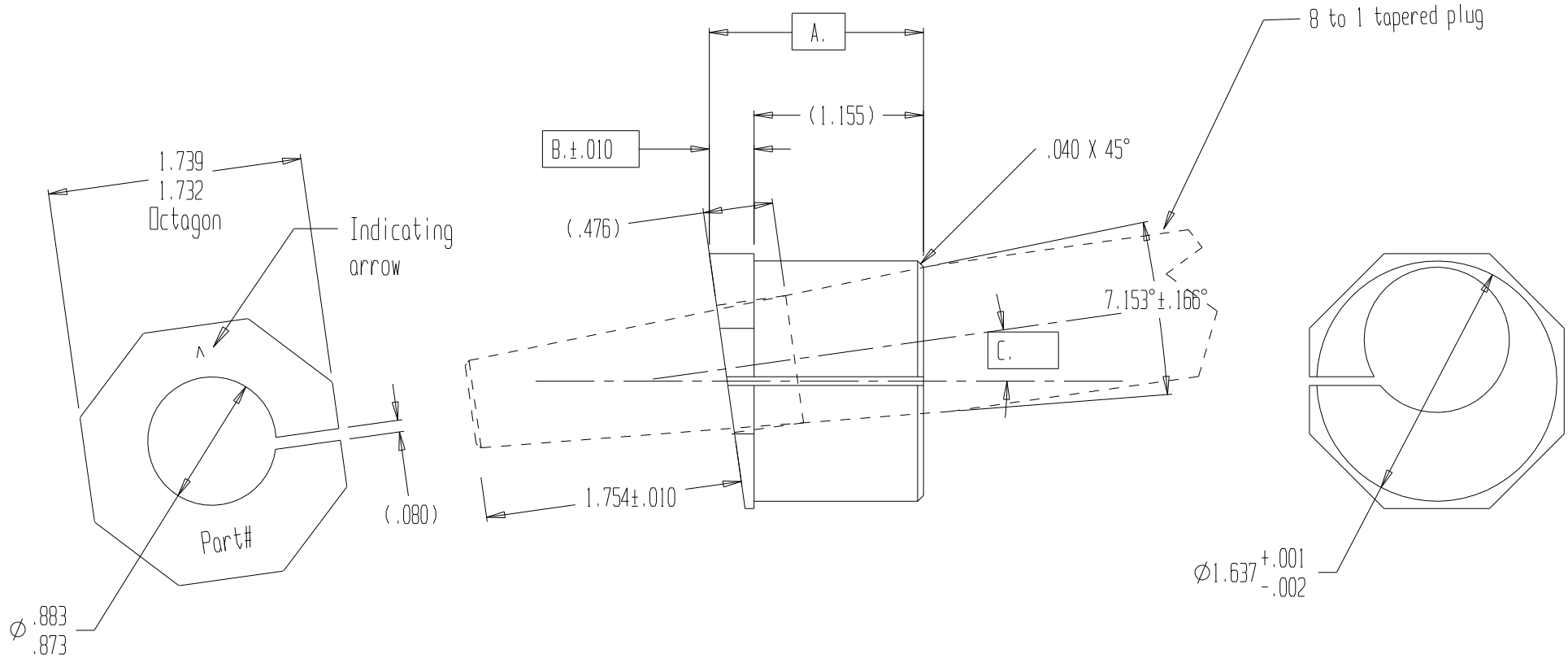


Note: Break all sharp edges & corners  
 All radii unspecified to have a Max. .03 Min. .01  
 All unspecified surface finishes Ra. 250 Max.

QTY	Part N #	Part#	Dimensions A B C		
			A.	B.	(C.)
	44-6026	SDH 1-1/4	1.40	.241	2°
	44-6027	SDH 1-1/2	1.42	.263	4°
	44-6028	SDH 1-3/4	1.44	.284	6°
1	44-6029	SDH 2	1.46	.305	8°



REV NO.	REVISION DESCRIPTION	REVISION DATE	REV BY	TOLERANCES (EXCEPT AS NOTED)	Northstar Mfg Co Inc		
1				± .XX = .020 ± .XXX = .005	DESCRIPTION Super Duty Heavy F450/550 Skewed bushings		
2				FRACTIONAL ± 1/32"	PART# SDH 1-1/4 Thru SDH 2		
3				ANGULAR ± 1°	DRAWN BY R.D.G	SCALE N/A	MATERIAL FX2008-F
4					CHK'D	DATE 12/9/04	DRAWING NO.
5					FINISH PLATE CZB	APP'D	SDH-125-2